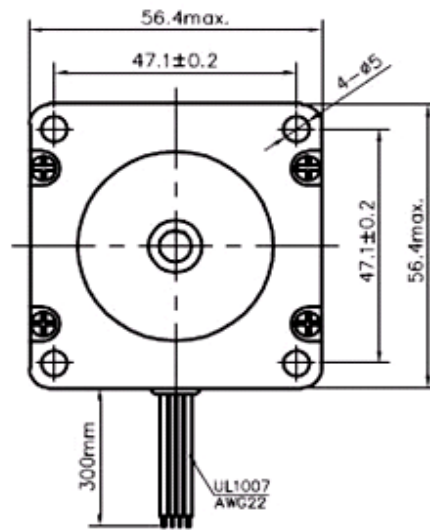
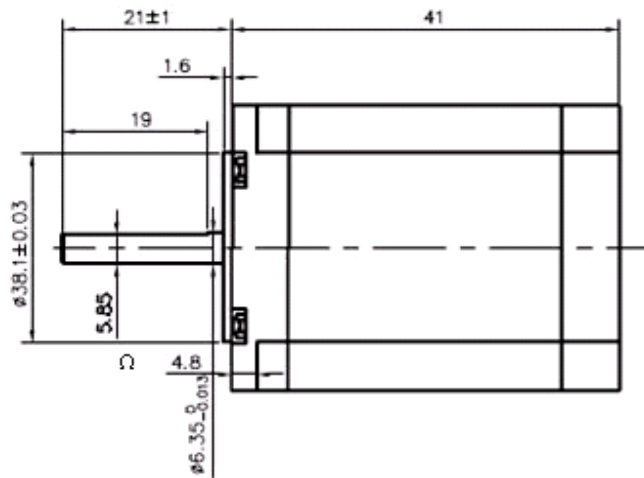
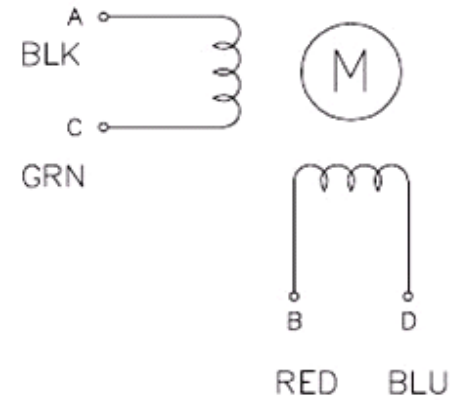


Dimension:
Unit=mm




Wiring Diagram:



Specifications:

Phase	2		Comment
Step Angle	1.8	deg.	
Voltage	1.96	V	
Current	2.8	A	
Resistance	0.7	ohm	
Inductance	1.4	mH	
Holding Torque	6.0	kg.cm	
Insulation Class	B		
Mass	0.42	kg	

REV.	QTY.	No.	SIG.	DATE	Title:			
					Specification			
DESIGN			STD.		CLS.MAK	WEIGHT	SCALE	
CHECK								
PROC.			APPR.		PAGE: OF PAGES			